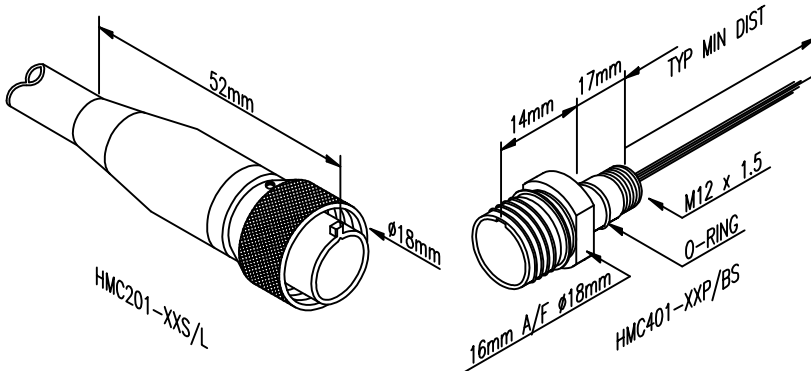
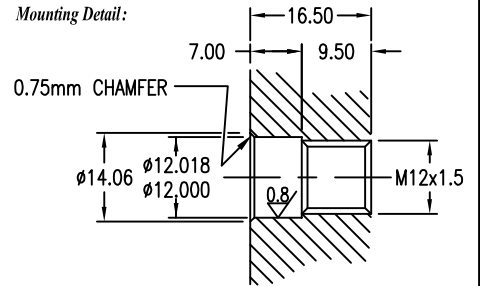


HMC (Hydrobond Miniature Connector) Surface Mateable Connector HMC_01-##



Mounting Detail:



Electrical and Environmental:
Pin/Socket Max Current Rating: 15 Amps
Pin/Socket Test Voltage: 1,000 V rms
Conductor Tail Size: 20 AWG
Solder Bucket Size: 1.0 mm dia

HMC201-02S



Electrical and Environmental:
Pin/Socket Max Current Rating: 12 Amps
Pin/Socket Test Voltage: 1,000 V rms
Conductor Tail Size: 20 AWG
Solder Bucket Size: 1.0 mm dia

HMC201-03S



Electrical and Environmental:
Pin/Socket Max Current Rating: 10 Amps
Pin/Socket Test Voltage: 1,000 V rms
Conductor Tail Size: 22 AWG
Solder Bucket Size: 0.8 mm dia

HMC201-04S



Electrical and Environmental:
Pin/Socket Max Current Rating: 9 Amps
Pin/Socket Test Voltage: 1,000 V rms
Conductor Tail Size: 22 AWG
Solder Bucket Size: 0.8 mm dia

HMC201-05S



Electrical and Environmental:
Pin/Socket Max Current Rating: 7 Amps
Pin/Socket Test Voltage: 1,000 V rms
Conductor Tail Size: 22 AWG
Solder Bucket Size: 0.8 mm dia

HMC201-06S



Electrical and Environmental:
Pin/Socket Max Current Rating: 7 Amps
Pin/Socket Test Voltage: 1,000 V rms
Conductor Tail Size: 22 AWG
Solder Bucket Size: 0.8 mm dia

HMC201-07S



Electrical and Environmental:
Pin/Socket Max Current Rating: 5 Amps
Pin/Socket Test Voltage: 1,000 V rms
Conductor Tail Size: 22 AWG
Solder Bucket Size: 0.8 mm dia

HMC201-08S



Electrical and Environmental:
Pin/Socket Max Current Rating: 2.5 Amps
Pin/Socket Test Voltage: 1,000 V rms
Conductor Tail Size: 28 AWG
Solder Bucket Size: 0.45 mm dia

HMC201-10S



Electrical and Environmental:
Pin/Socket Max Current Rating: 2 Amps
Pin/Socket Test Voltage: 1,000 V rms
Conductor Tail Size: 28 AWG
Solder Bucket Size: 0.45 mm dia

HMC201-14S



Electrical and Environmental:
Pin/Socket Max Current Rating: 1.5 Amps
Pin/Socket Test Voltage: 1,000 V rms
Conductor Tail Size: 28 AWG
Solder Bucket Size: 0.45 mm dia

HMC201-16S

Standard Specification:

Mated Depth Rating: 1,250 MSW
Temperature Rating: -20 °C to +60 °C
Conductor Tails: Spec 44 x 1.0M

Body: BS 316L - Stainless Steel
Fix Ring: Aluminium Silicon Bronze
Contact Sockets: Bronze (UNS C 54400), Cu-Be (FS QQ-C-530)
Contact Pins: Brass (UNS C 38500)
O-Ring: NI70