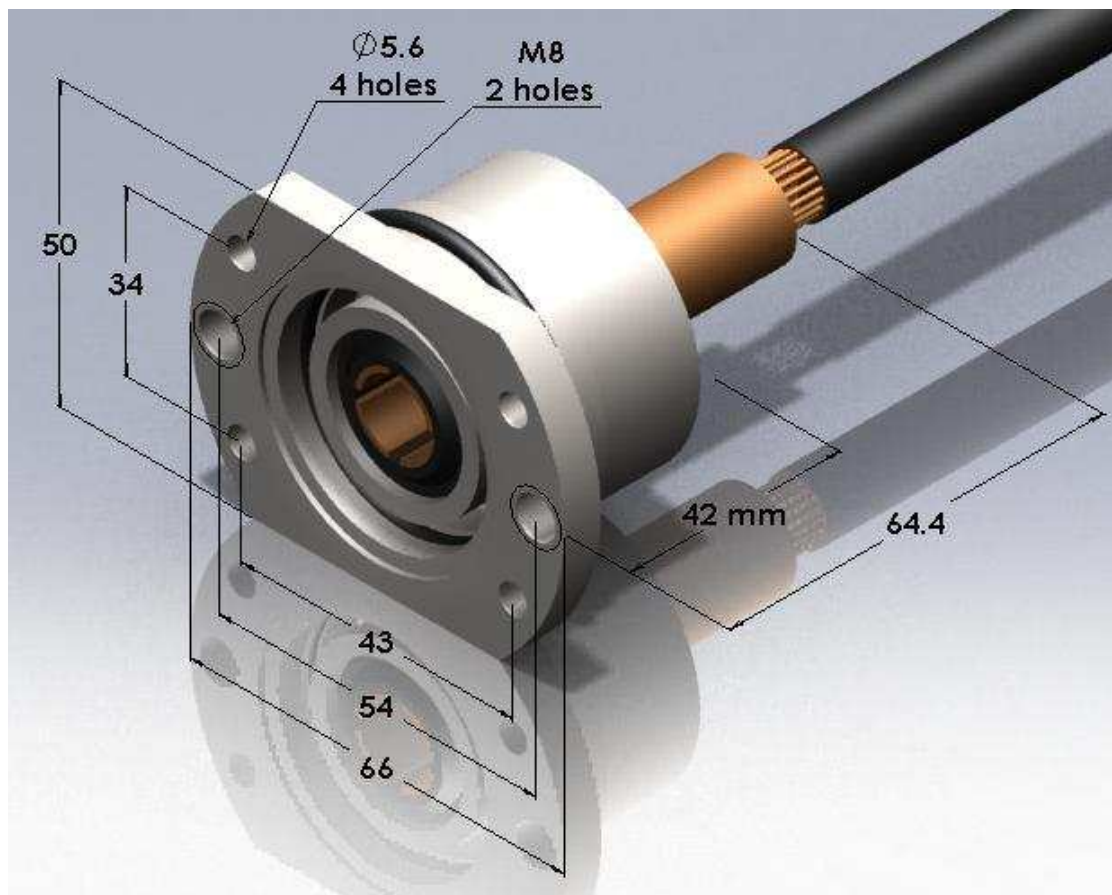


300A-CP Data Table

Number of contacts	1
Ordering number	300A-CP



300A-FR Data Table

Number of contacts	1
Ordering number	300A-FR

300A data

Contact Layout – 300A

Number of contacts	1
Contact layout	

Specification – 300A			
Operational		Material	
Max Current	300A	Molding	Low Carbon Neoprene
Max Voltage	300V	Bulkhead	316 Stainless
Insulation	>200 megaohm	Contacts	Gold plated per MIL-G 45204 Type II, Grade D, Class 00
Contacts	<0.01 ohm	Pin	Phosphor Bronze
Matings	>500	Sockets	Brass
Temperature	-5C - +65C	In-line cable	AWG 2/0 , 1248/30 stranding, EPDM jacket
Depth	>300 bar	BH leads	Per order