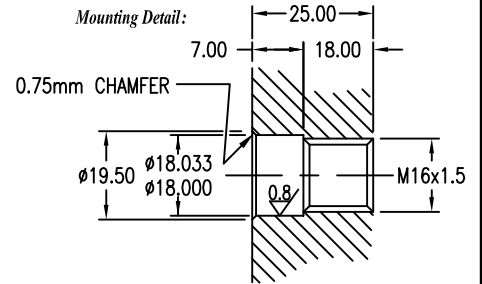
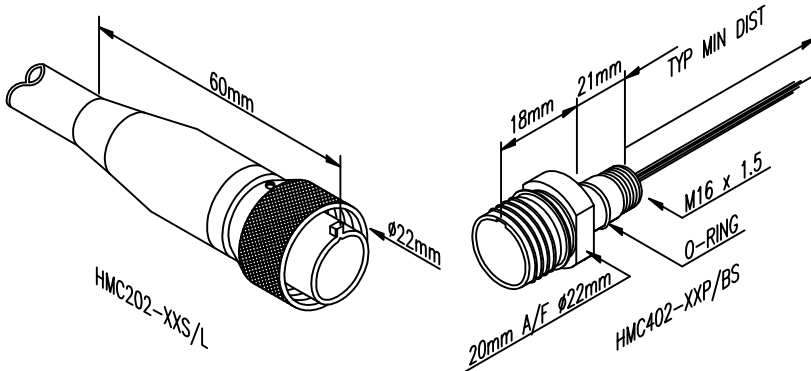




HMC (Hydrobond Miniature Connector) Surface Mateable Connector HMC_02-##



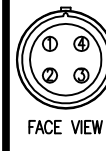
Electrical and Environmental:
Pin/Socket Max Current Rating: 30 Amps
Pin/Socket Test Voltage: 1,000 V rms
Conductor Tail Size: 14 AWG
Solder Bucket Size: 1.8 mm dia
Electrical Contacts: 02 Way

HMC202-02S



Electrical and Environmental:
Pin/Socket Max Current Rating: 17 Amps
Pin/Socket Test Voltage: 1,000 V rms
Conductor Tail Size: 16 AWG
Solder Bucket Size: 1.40 mm dia
Electrical Contacts: 03 Way

HMC202-03S



Electrical and Environmental:
Pin/Socket Max Current Rating: 15 Amps
Pin/Socket Test Voltage: 1,000 V rms
Conductor Tail Size: 20 AWG
Solder Bucket Size: 1.0 mm dia
Electrical Contacts: 04 Way

HMC202-04S



Electrical and Environmental:
Pin/Socket Max Current Rating: 14 Amps
Pin/Socket Test Voltage: 1,000 V rms
Conductor Tail Size: 20 AWG
Solder Bucket Size: 1.0 mm dia
Electrical Contacts: 05 Way

HMC202-05S



Electrical and Environmental:
Pin/Socket Max Current Rating: 12 Amps
Pin/Socket Test Voltage: 1,000 V rms
Conductor Tail Size: 20 AWG
Solder Bucket Size: 1.0 mm dia
Electrical Contacts: 06 Way

HMC202-06S



Electrical and Environmental:
Pin/Socket Max Current Rating: 11 Amps
Pin/Socket Test Voltage: 1,000 V rms
Conductor Tail Size: 20 AWG
Solder Bucket Size: 1.0 mm dia
Electrical Contacts: 07 Way

HMC202-07S



Electrical and Environmental:
Pin/Socket Max Current Rating: 10 Amps
Pin/Socket Test Voltage: 1,000 V rms
Conductor Tail Size: 22 AWG
Solder Bucket Size: 0.8 mm dia
Electrical Contacts: 08 Way

HMC202-08S



Electrical and Environmental:
Pin/Socket Max Current Rating: 8 Amps
Pin/Socket Test Voltage: 1,000 V rms
Conductor Tail Size: 22 AWG
Solder Bucket Size: 1.0 mm dia
Electrical Contacts: 10 Way

HMC202-10S



Electrical and Environmental:
Pin/Socket Max Current Rating: 7 Amps
Pin/Socket Test Voltage: 1,000 V rms
Conductor Tail Size: 22 AWG
Solder Bucket Size: 0.8 mm dia
Electrical Contacts: 12 Way

HMC202-12S



Electrical and Environmental:
Pin/Socket Max Current Rating: 6.5 Amps
Pin/Socket Test Voltage: 1,000 V rms
Conductor Tail Size: 22 AWG
Solder Bucket Size: 0.8 mm dia
Electrical Contacts: 14 Way

HMC202-14S



Electrical and Environmental:
Pin/Socket Max Current Rating: 6 Amps
Pin/Socket Test Voltage: 1,000 V rms
Conductor Tail Size: 22 AWG
Solder Bucket Size: 0.8 mm dia
Electrical Contacts: 16 Way

HMC202-16S



Electrical and Environmental:
Pin/Socket Max Current Rating: 5.5 Amps
Pin/Socket Test Voltage: 1,000 V rms
Conductor Tail Size: 20 AWG
Solder Bucket Size: 0.8 mm dia
Electrical Contacts: 18 Way

HMC202-18S



Electrical and Environmental:
Pin/Socket Max Current Rating: 5 Amps
Pin/Socket Test Voltage: 1,000 V rms
Conductor Tail Size: 22 AWG
Solder Bucket Size: 0.8 mm dia
Electrical Contacts: 19 Way

HMC202-19S



Electrical and Environmental:
Pin/Socket Max Current Rating: 2 Amps
Pin/Socket Test Voltage: 1,000 V rms
Conductor Tail Size: 28 AWG
Solder Bucket Size: 0.45 mm dia
Electrical Contacts: 26 Way

HMC202-26S



Electrical and Environmental:
Pin/Socket Max Current Rating: 1.5 Amps
Pin/Socket Test Voltage: 1,000 V rms
Conductor Tail Size: 28 AWG
Solder Bucket Size: 0.45 mm dia
Electrical Contacts: 32 Way

HMC202-32S

Standard Specification:

Mated Depth Rating: 1,250 MSW

Temperature Rating: -20 °C to +60 °C

Conductor Tails: Spec 44 x 1.0M

Body: BS 316L - Stainless Steel

Fix Ring: Aluminium Silicon Bronze

Backshell: N/A

Contact Pins: Brass (UNS C 38500)

Contact Sockets: Bronze (UNS C 54400), Cu-Be (FS QQ-C-530)

O-Ring: NI70