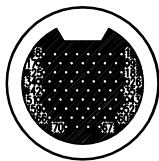
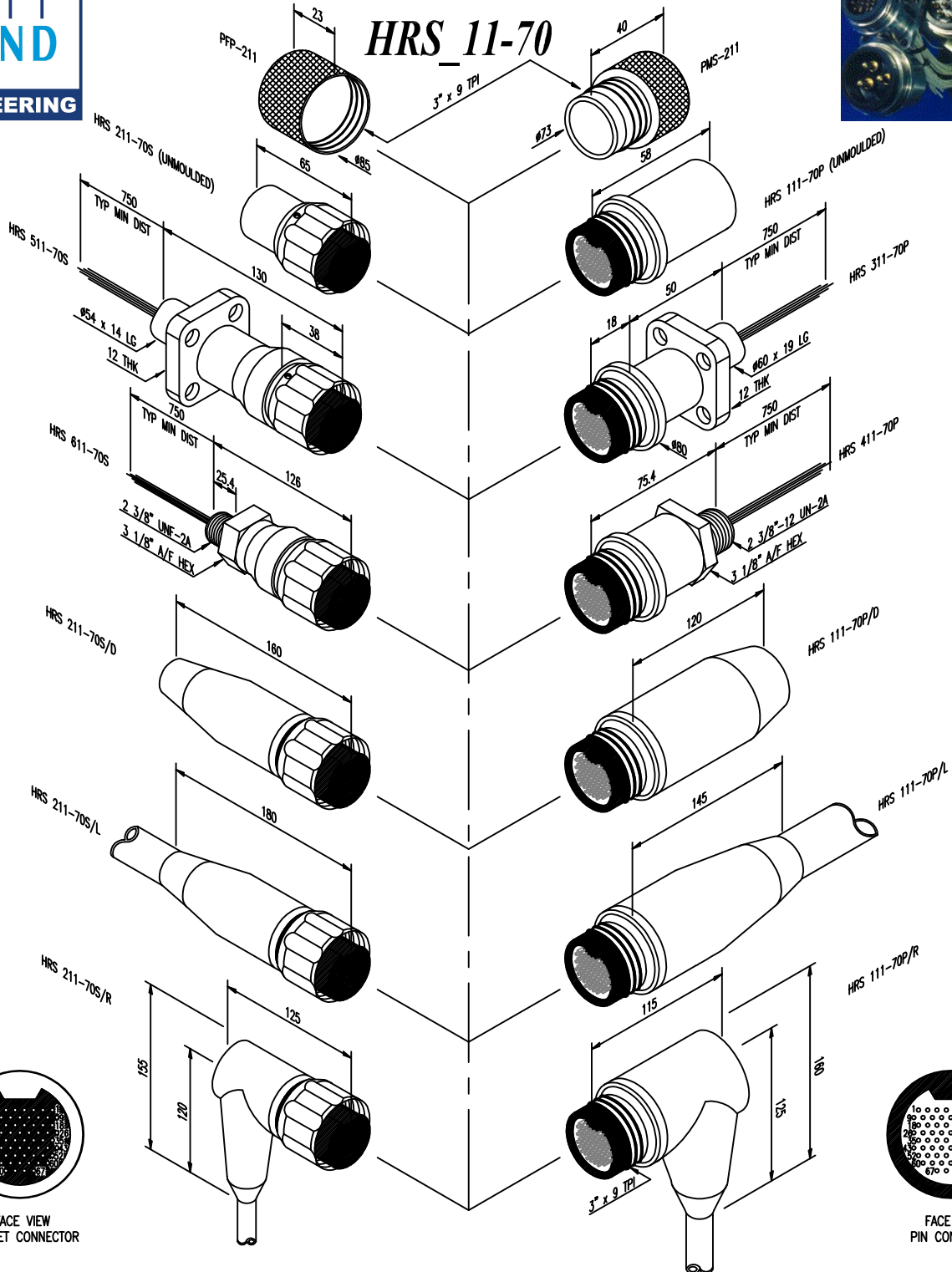
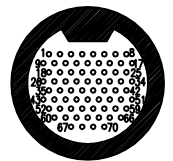




HRS (Hydrobond Rubber Sealing) Underwater Mateable Connector



FACE VIEW
SOCKET CONNECTOR



FACE VIEW
PIN CONNECTOR

Electrical and Environmental:

- Pin Current Rating: 2 Amps
- Pin Voltage Rating: 2,000 V rms
- Contact to Contact IR: >1,000 MOhms @ 1,000 V dc
- Contact to Body IR: >1,000 MOhms @ 1,000 V dc
- Mated Depth Rating: 2,440 MSW
- Temperature Rating: -20 °C to +60 C
- Conductor Tail Size: 18 AWG
- Solder Bucket Size: 2.5 mm dia

Standard Material Specification:

- Body: 316 Stainless Steel
- Fix Ring: Aluminium Silicon Bronze
- BackShell: N/A
- Contact Pins: CZ121/Au
- Contact Sockets: CZ121/Au
- Insert Material: Neoprene
- Conductor Tails: Spec 44 X 0.75 m.
- O - Rings: NI70

Mechanical:

- Lengths = mm
- Threads = Inches
- Mounting Detail:
See Mounting Detail
Section of Binder