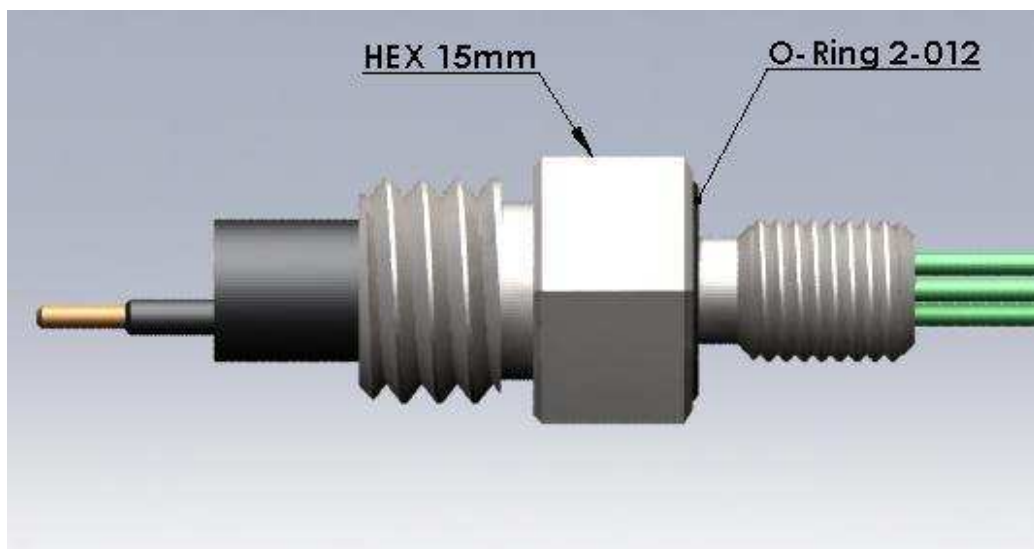
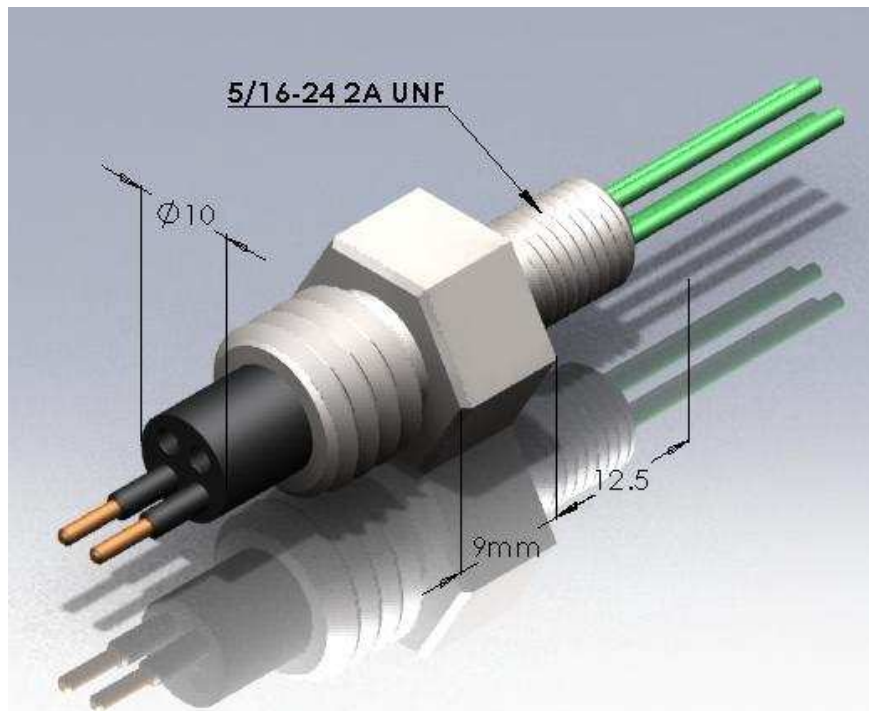
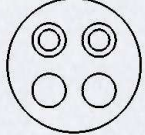
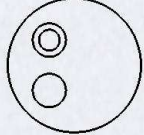


NANO Data Table

Number of contacts	2	4
Locking Sleeve Type:	NA-FLS NA-MLS	NA-FLS NA-MLS
Ordering number	NAIL2	NAIL4

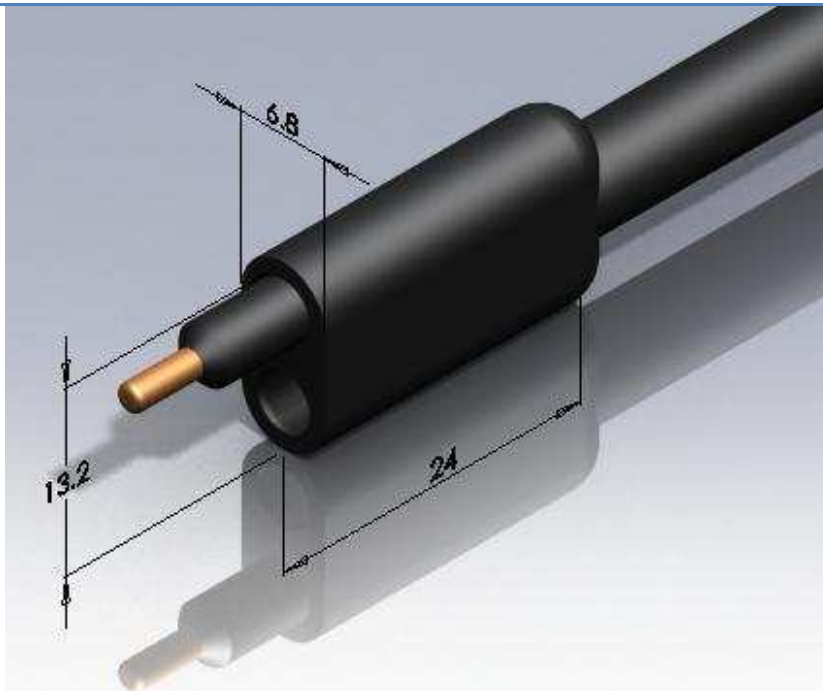


NANO Data Table		
Number of contacts	2	4
Locking Sleeve Type:	NA-FLS NA-MLS	NA-FLS NA-MLS
Ordering number	NABH2	NABH4

Contact Layout - NANO		
Number of contacts	4	2
Contact layout		

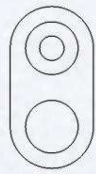
Specification - NANO			
Operational		Material	
Max Current	8A	Molding	Low Carbon Neoprene
Max Voltage	600V	Bulkhead	Brass, 316 Stainless
Insulation	>200 megaohm	Contacts	Gold plated per MIL-G 45204 Type II, Grade D, Class 00
Contacts	<0.01 ohm	Pin	5/64 Pin, Phosphor Bronze
Matings	>500	Sockets	Beryllium heat treated
Temperature	-5C - +65C	In-line cable	60cm AWG20 (0.5 mm ²) 26/34 stranding
Depth	>600 bar	BH leads	30cm, AWG20 Teflon (0.6 mm ²) 19/32 stranding

Wire Color Code - NAIL		
Designated wire	Number of contacts on connector	
	2	4
Wire 1	Black	Black
Wire 2	White	White
Wire 3		Red
Wire 4		Green



MH Data Table	
Number of contacts	2
Cable dim [mm]	6.4
Cable current [A]	7
Ordering number	MH2

MH Data

Contact Layout - MH	
Number of contacts	2
Contact layout	

Specification - MH			
Operational		Material	
Max Current	7A	Molding	Low Carbon Neoprene
Max Voltage	600V	Contacts	Gold plated per MIL-G 45204 Type II, Grade D, Class 00
Insulation	>200 megaohm	Pin	#11, phosphor Bonze
Contacts	<0.01 ohm	Sockets	Beryllium heat treated
Matings	>500	In-line cable	60cm AWG20 (0.5 mm ²) 26/34 stranding
Temperature	-5C - +65C		
Depth	>600 bar		

Wire Color Code - MH	
Designated wire	Number of contacts on connector
	2
Wire 1	Black
Wire 2	White